



Kawasaki ZX-14 & ZX-10 Swingarm Installation

Parts circled in **yellow** are not supplied with your swingarm.

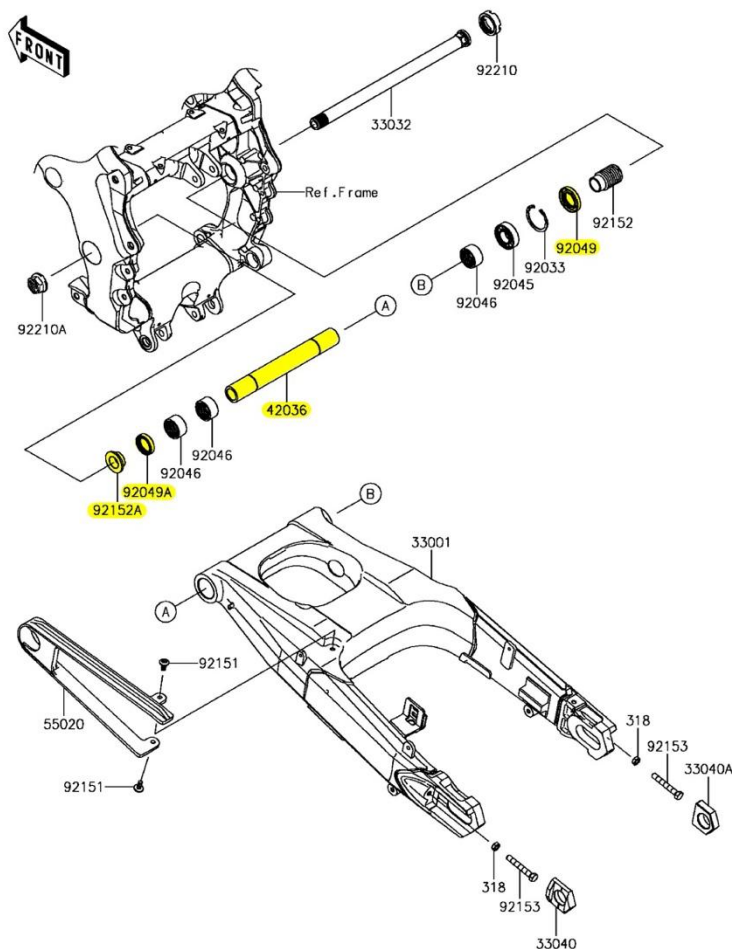
These parts are supplied in your stock swingarm and should be used to install your new DME Racing swingarm.

ZX-14 Part Numbers

- 42036 - Swingarm Pivot Sleeve (OEM# 42036-1341)
- 92152A - Swingarm Collar (OEM# 92152-1234)
- 92049 - Oil Seal (OEM# 92049-1314)
- 92049A - Oil Seal (OEM# 92049-1352)

ZX-10 Part Numbers

- 42036 - Swingarm Pivot Sleeve (OEM# 42036-1341)
- 92152A - Swingarm Collar (OEM# **92152-2169**)
- 92049 - Oil Seal (OEM# 92049-1314)
- 92049A - Oil Seal (OEM# 92049-1352)



*ZX-14 diagram shown, ZX-10 diagram slightly different

For more information, visit www.DMERacing.com

2260 Old Salisbury Rd. • Winston Salem, NC 27127 • Phone (336) 785-4845